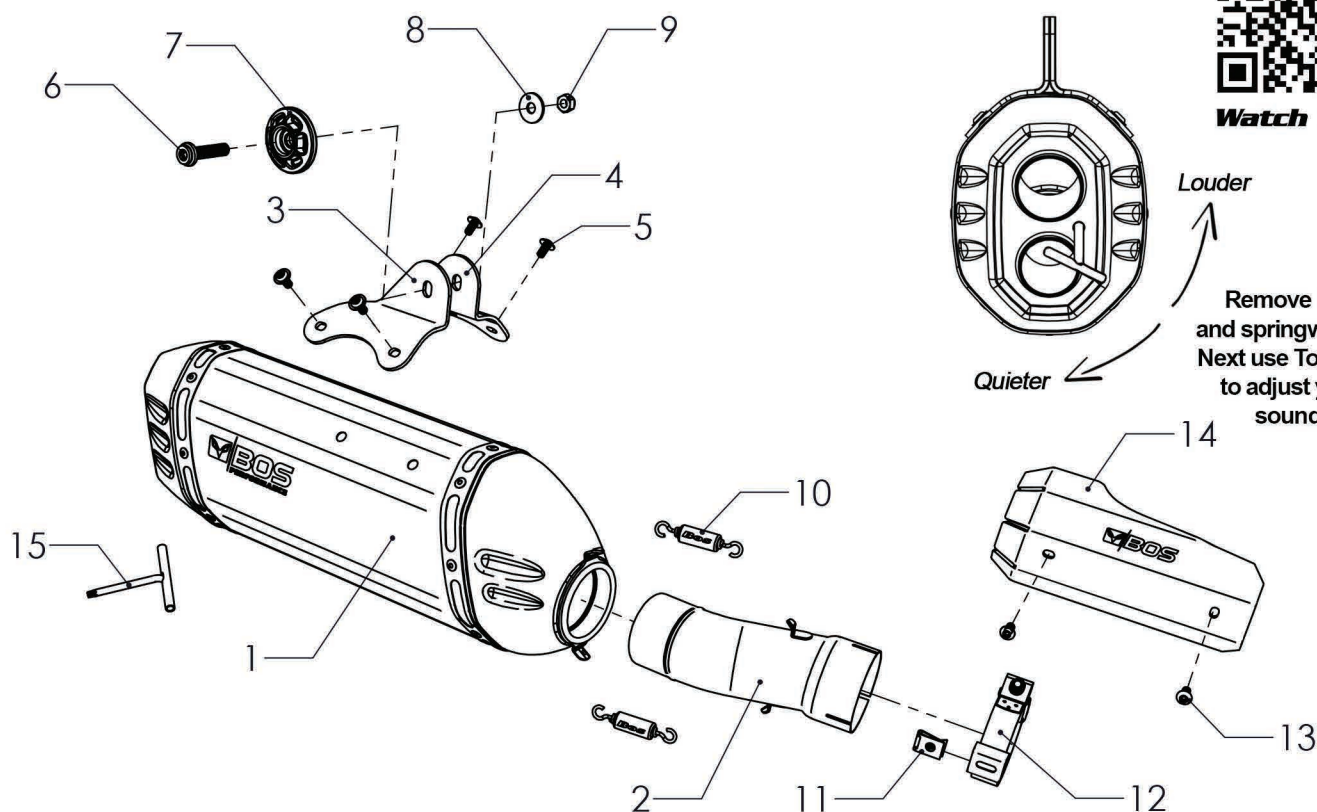




**Watch Video!**



Pos	Qty	Part No.	Description	Ordernumber
1	1	900012	Muffl. DesertFox Type 1008 Shot Blasted	<b>BM12R09-DESB - Shot Blasted</b>
1	1	900013	Muffl. DesertFox Type 1008 Carbon Steel	<b>BM12R09-DECS - Carbon Steel</b>
1	1	900015	Muffl. DesertFox Type 1008 Black Coated	<b>BM12R09-DEBL - Black Coated</b>
<b>Mounting Parts:</b>				<b>Weight:</b>
2	1	750010	Link Pipe	Stock: 4,6 kg
3	1	700005	Mounting Bracket	Bos: 4,3 kg
4	1	700006	Mounting Bracket	
5	4	14148	M6x16 Torx Flange Screw	<b>Noiselevel: @ 3875 rpm</b>
6	1	300011	Bolt M8x45 Torx	Stock: Specified 94,0 dB(A)
7	1	Original	Washer	Measured 92,7 dB(A)
8	1	14060	Washer M8	Bos: Closed 91,8 dB(A)
9	1	14055	Locknut M8	Open 93,5 dB(A)
10	2	14088	Pull Spring 36 mm.	
11	1	14111	Speednut M5	<b>Performance</b>
12	1	64780	Clamp 67 with nutcase	Stock: 123,1 Hp / 7123 rpm
13	2	Original	Bolt	Bos: 126,9 Hp / 6984 rpm
14	1	600042	Heatshield	Max. Hp incr.: + 4,3 Hp / 6984 rpm
15	1	14154	BOS Sound Control Key	Max Nm incr.: + 4,8 Nm / 5303 rpm

**Extra Parts:**

**Tips**

In order to avoid smudges and fingerprints burning into the surface it is imperative to clean the exhaust before starting the engine, burnt in stains are very difficult to remove.  
After 300 miles or 500 kms. check all nuts and bolts and retighten if necessary.