



**MODEL** SUZUKI GSX-R 1000

**YEAR** 2017 -->

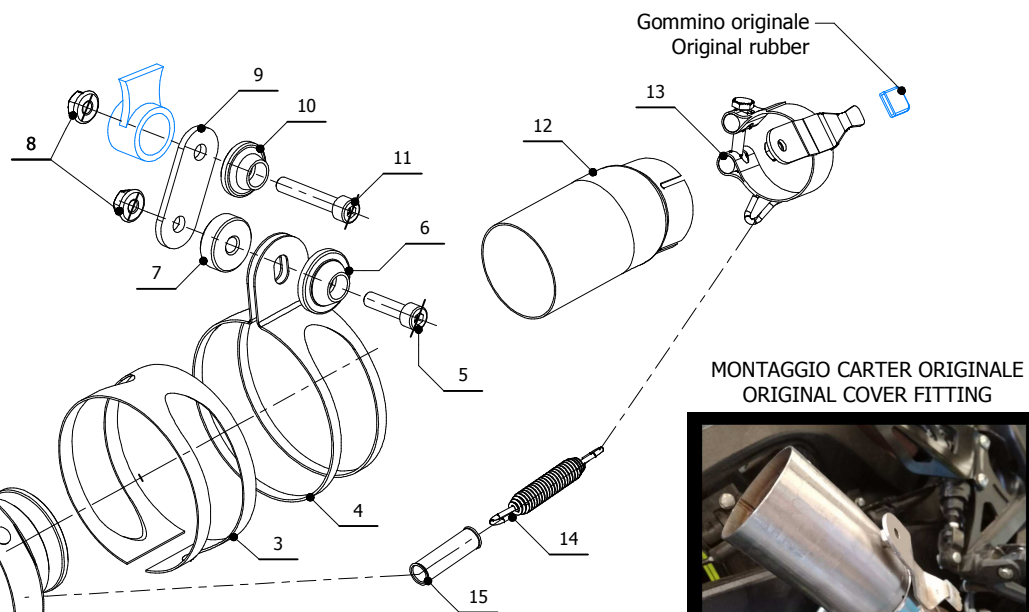
**LINE** SLIP ON

**MUFFLER** GP

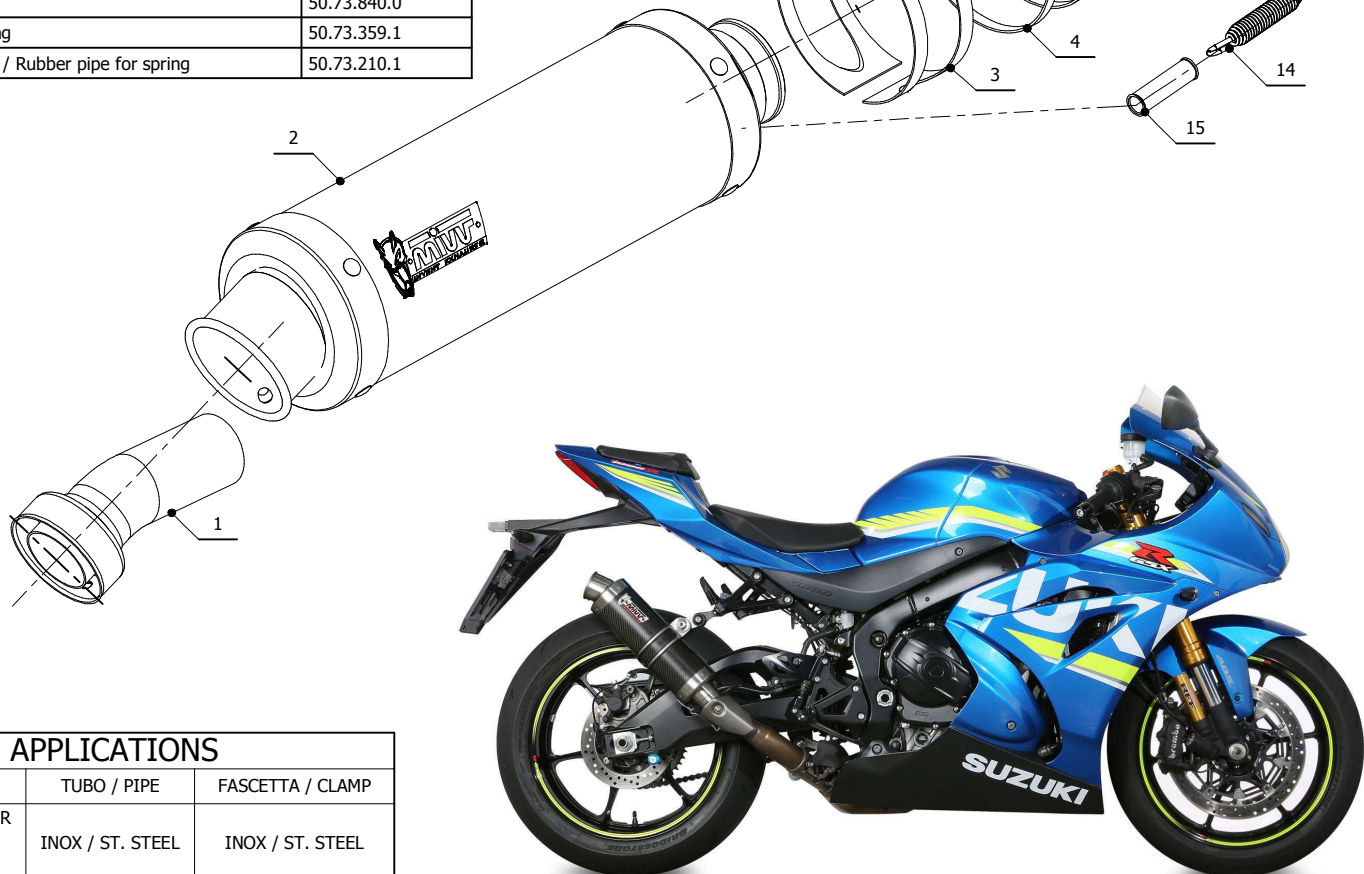
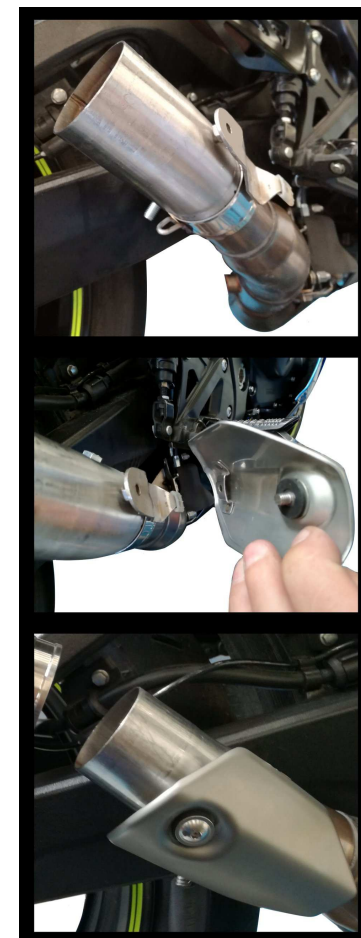
**SCHEMATIC**

**ELENCO PARTI / PARTS LIST**

#	QTÀ / QTY	DESCRIZIONE / DESCRIPTION	CODICE / CODE
1	1	DB killer / DB killer	50.DK.109.0
2	1	Silenziatore / Muffler	GP
3	1	Protezione in gomma per staffa / Rubber protection for bracket	50.73.040.1
4	1	Staffa / Bracket	50.SS.001.0
5	1	Vite M8x30 / Screw M8x30	50.73.219.1
6	1	Rondella in alluminio / Aluminium washer	50.73.063.1
7	1	Distanziale in alluminio / Aluminium spacer (Øe.30 Øi.8,5 h.10)	50.SS.645.1
8	2	Dado M8 flangiato / Flanged nut M8	50.73.393.1
9	1	Staffa / Bracket	50.SS.683.0
10	1	Rondella in alluminio nera / Black aluminium washer	50.73.221.1
11	1	Vite M8x45 / Screw M8x45	50.73.602.1
12	1	Tubo di raccordo / Link pipe	9773S050S2
13	1	Fascetta / Pipe clamp	50.73.840.0
14	1	Molla media / Middle spring	50.73.359.1
15	1	Tubo in gomma per molla / Rubber pipe for spring	50.73.210.1



**MONTAGGIO CARTER ORIGINALE / ORIGINAL COVER FITTING**



**APPLICAZIONI / APPLICATIONS**

CODICE / CODE	SILENZIATORE / MUFFLE	TUBO / PIPE	FASCETTA / CLAMP
S.050.L2S	CARBONIO / CARBON FIBER		
S.050.L6S	TITANIO / TITANIUM	INOX / ST. STEEL	INOX / ST. STEEL
S.050.LXB	STEEL BLACK		