



MODEL YAMAHA MT-03 660

YEAR 2006 - 2014

LINE SLIP ON

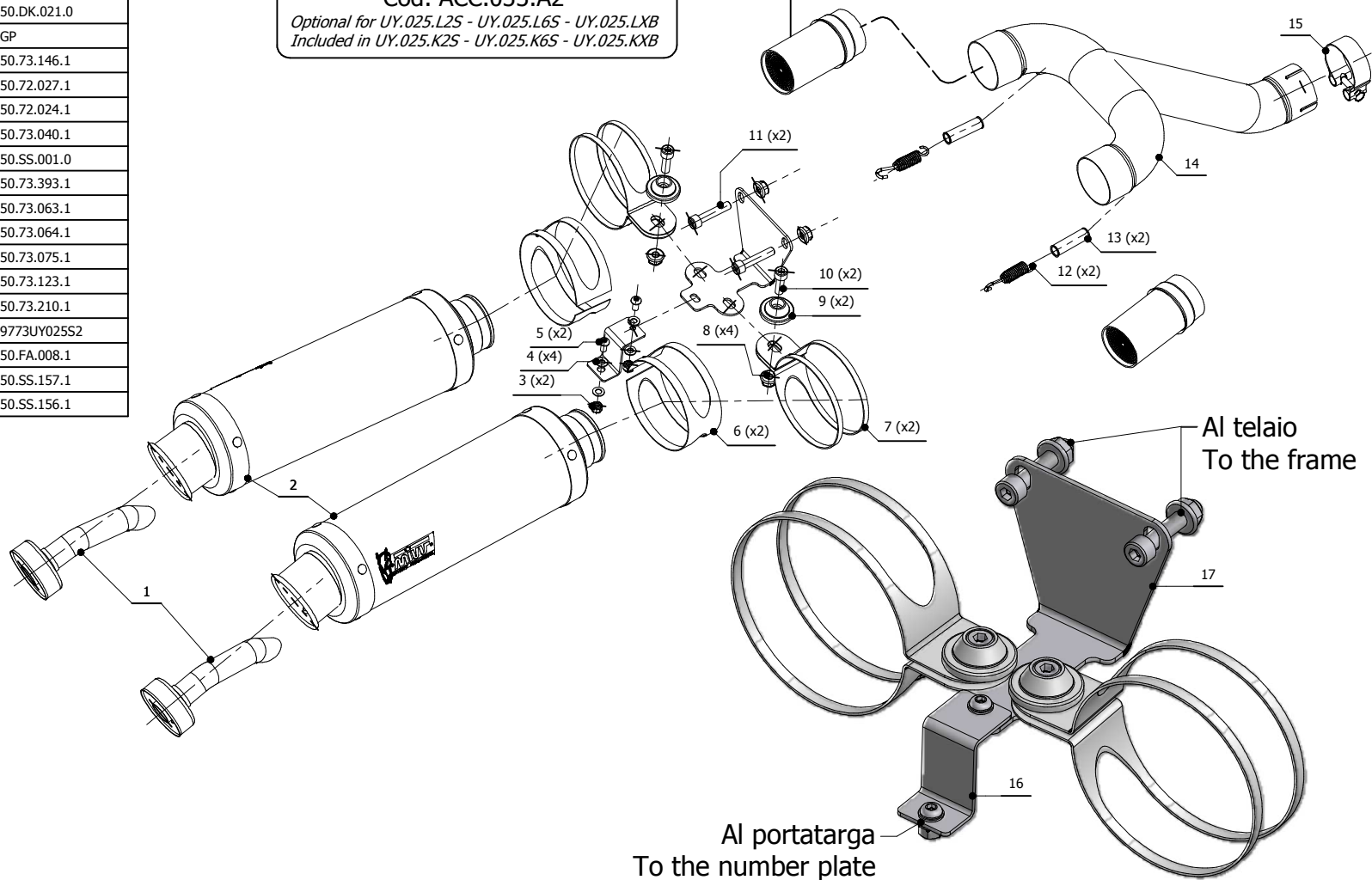
MUFFLER GP

SCHEMATIC

ELENCO PARTI / PARTS LIST

#	QTÀ / QTY	DESCRIZIONE / DESCRIPTION	CODICE / CODE
1	2	DB killer / DB killer	50.DK.021.0
2	2	Silenziatore / Muffler	GP
3	2	Dado M6 / Nut M6	50.73.146.1
4	4	Rondella M6 / Washer M6	50.72.027.1
5	2	Vite M6 x 12 / Screw M6 x 12	50.72.024.1
6	2	Protezione in gomma / Rubber protection	50.73.040.1
7	2	Staffa / Bracket	50.SS.001.0
8	4	Dado M8 flangiato / Flanged nut M8	50.73.393.1
9	2	Rondella in alluminio / Aluminium washer	50.73.063.1
10	2	Vite M8x25 / Screw M8x25	50.73.064.1
11	2	Vite M8x40 / Screw M8x40	50.73.075.1
12	2	Molla corta / Short Spring	50.73.123.1
13	2	Tubo in gomma per molla / Rubber pipe for spring	50.73.210.1
14	1	Tubo di raccordo / Link pipe	9773UY025S2
15	1	Fascetta Ø 52/55 mm / Pipe clamp Ø 52/55 mm	50.FA.008.1
16	1	Staffa / Bracket	50.SS.157.1
17	1	Staffa / Bracket	50.SS.156.1

Catalytic Converter
Cod. ACC.033.A2
Optional for UY.025.L2S - UY.025.L6S - UY.025.LXB
Included in UY.025.K2S - UY.025.K6S - UY.025.KXB



APPLICAZIONI / APPLICATIONS				
CODICE / CODE	SILENZIATORE / MUFFLER	TUBO / PIPE	FASCETTA / CLAMP	NOTE
UY.025.L2S UY.025.L6S UY.025.LXB	CARBONIO / CARBON FIBER TITANIO / TITANIUM STEEL BLACK	INOX / ST. STEEL	INOX / ST. STEEL	CATALYTIC CONVERTER NOT INCLUDED
UY.025.K2S UY.025.K6S UY.025.KXB	CARBONIO / CARBON FIBER TITANIO / TITANIUM STEEL BLACK	INOX / ST. STEEL	INOX / ST. STEEL	CATALYTIC CONVERTER INCLUDED